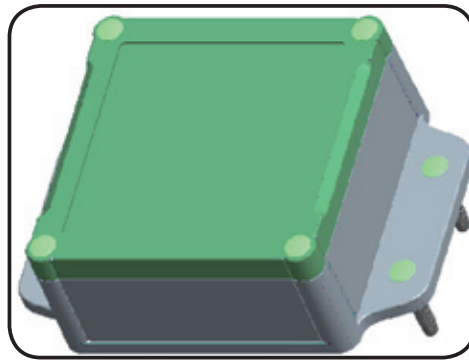


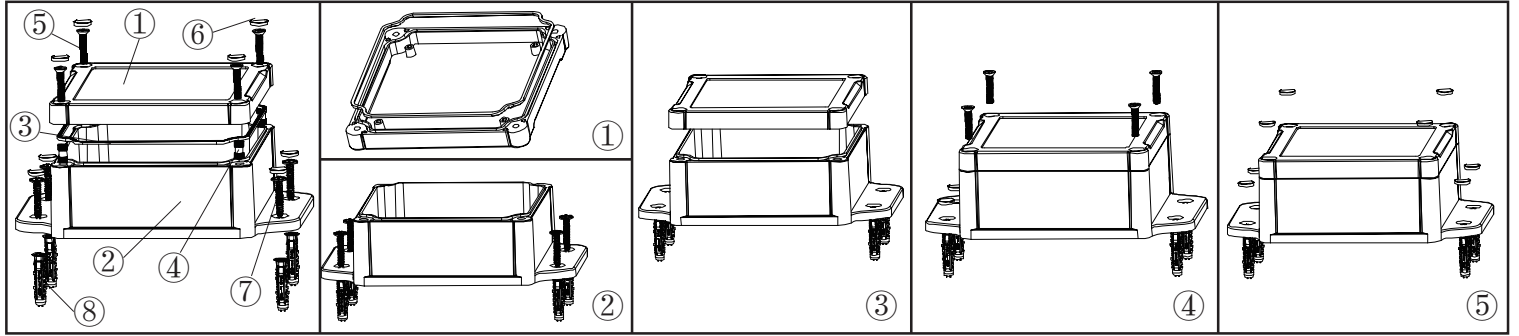
产品型号(MODEL NO.): BWP 10001-A2

产品尺寸 (SIZE): 168×120×55MM

产品重量(WEIGHT): 222 g



11222001



①

产品编号(NUMBER): 10001-B2
 产品名称(NAME): 上壳 EPIVALVE
 模具编号 (P/NO) :BAH10024-A2
 材料(MATERIAL):PC(TRANSPARENCE)
 用量(QUANTITY):1 PCS
 重量(WEIGHT) : 73 g

②

产品编号(NUMBER): 10001-C1
 产品名称(NAME): 下壳 HYPOTHECA
 模具编号(P/NO): BAH10024-A1
 材料(MATERIAL):ABS(LIGHT GREY:FS20412)
 用量(QUANTITY): 1 PCS
 重量(WEITHG): 150 g

③

产品编号(NUMBER): 10001-D1
 产品名称(NAME): 防水圈GASKET
 材料 (MATERIAL): 橡胶RUBBER
 用量(QUANTITY): 1 PCS
 尺寸 (SIZE): 113x113x1.8 MM
 重量(WEIGHT): 2 g

④

产品编号(NUMBER): M4×10
 产品名称(NAME): 铜套 COPPER NUT
 规格(STANDARD): M4×10
 材料(MATERIAL): 铜 COPPER
 用量(QUANTITY): 4 PCS
 颜色 (COLOR): 铜色 COPPER

⑤

产品编号(NUMBER): KM4×18
 产品名称(NAME): GRUB SCREW
 规格(STANDARD): M4×18
 材料(MATERIAL): STAINLESS STEEL
 用量 (QUANTITY): 4 PCS

⑥

产品编号(NUMBER): KN-500-B1
 产品名称(NAME): 螺丝盖 SCREW LID
 模具编号(P/NO): BAH10001-A3
 材料(MATERIAL): ABS(LIGHT GREY:FS20412)
 用量(QUANTITY): 8 PCS

⑦

产品编号(NUMBER): PWA4×30
 产品名称(NAME): 自攻螺丝SELF-TAPPING SCREW
 规格(STANDARD): M4×30
 材料(MATERIAL): 铁 IRON
 用量(QUANTITY): 4 PCS

⑧

产品编号(NUMBER): S-6
 产品名称(NAME): 墙钉 WALL NAIL
 模具编号(P/NO): BAH10032-A1A2
 规格(STANDARD): S×6 φ4-5
 材料(MATERIAL): PP(GREY:CM906)
 用量(QUANTITY): 4 PCS

名称 NAME	尺寸 SIZE (MM)	CARTON No.	G . W (KG)	N . W (KG)	每箱数量 QUANTITY	PE袋 POLYBAG
小箱 SAMLL CARTON	188×128×63	43	0.294	0.239	1 (PCS)	278X180 (MM)
大箱 BIG CARTON	645×410×395	14	19	14.5	60 (PCS)	